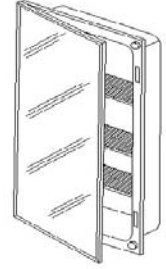


### 460P34CH RECESSED MOUNTED MEDICINE CABINET



#### FEATURES

- Recessed installation with recommended wall opening of 14" x 34" x 3-1/4"
- Easy to clean, one piece, steel construction.
- Body is 20 gauge steel with rust resistant white powder coat paint finish
- Door back is 26 gauge steel with white powder coat paint finish to match the cabinet
- 16" x 36" 3/32" thick glass mirror on door exterior with standard bright stainless steel trim frame with tab closure
- 32" piano hinge with 90° stop is welded to the door and attached to the cabinet body with screws to allow for door replacement
- There are two magnetic door catches in the cabinet body and each aligns to one of the two stainless steel striker plates on the door back
- Three adjustable glass shelves
- Multiple shelf positions are available through a series of punched lances in each side of the cabinet body that will support the shelves
- Meets government specification WW-P-541/8B
- Reversible for left-hand or right-hand door opening

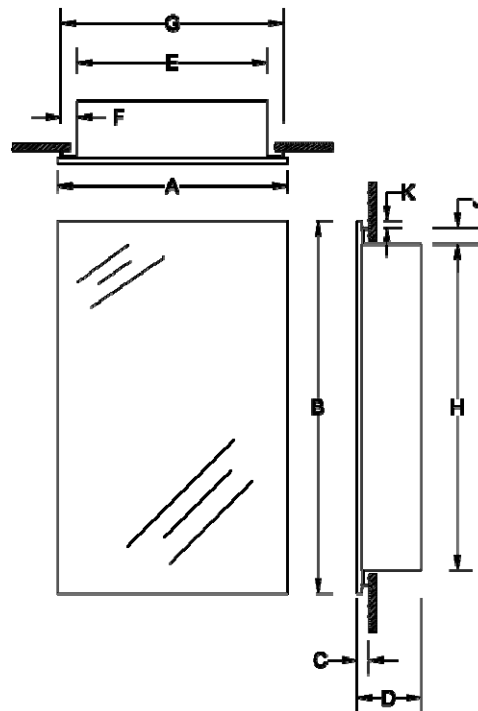
#### SPECIFICATIONS

##### Finishes:

Housing: PT01-Basic White

Mirror: Flat Mirror

Frame: SS8-Polish Stainless Steel Trim



Model Number	DIMENSIONS IN INCHES*									
	A	B	C	D	E	F	G	H	J	K
460P34CH	16-1/8	36-1/4	1-1/2	4-1/2	13-1/2	1	15-1/2	33-1/2	1	3/8

REFERENCE	QTY.	REMARKS	Project
			Location
			Architect
			Engineer
			Contractor
			Submitted by
			Date

\* All models and material specifications are subject to change or withdrawal without notice.